



**Kennedy**

INTEGRATED HYGIENE SOLUTIONS

Kennedy Hygiene Products Limited  
Brookside, Uckfield,  
East Sussex, TN22 1YA  
United Kingdom  
Telephone: +44 (0) 1825 768141  
Fax: +44 (0) 1825 768143  
email: sales@kennedy-hygiene.com  
Website: www.kennedy-hygiene.com

## PRODUCT SPECIFICATION SHEET

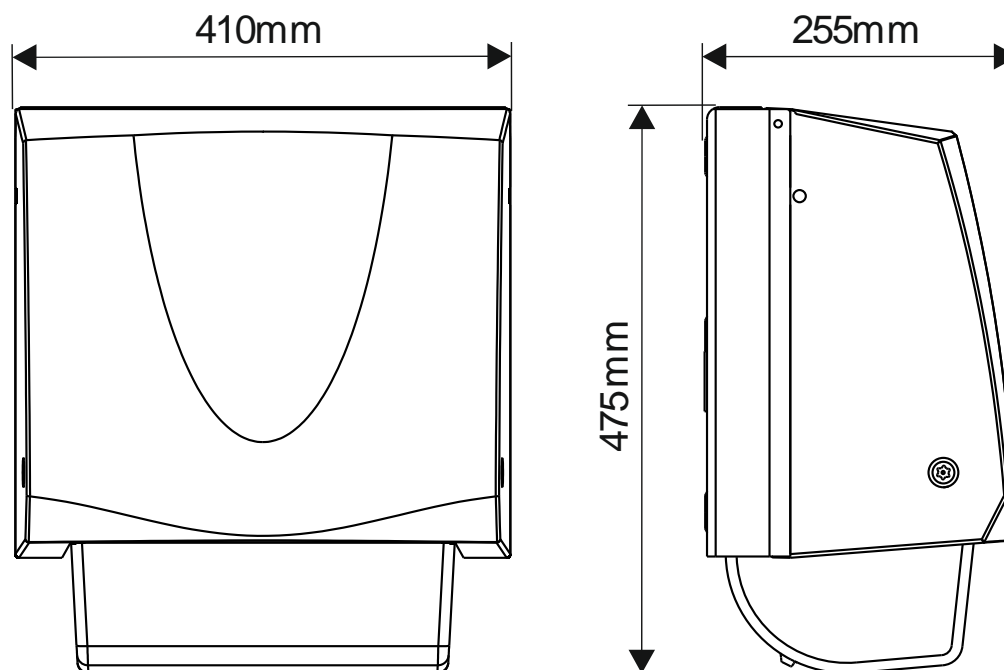
### **INTEGRA ELLIPSE CABINET**

#### **KHP PART No. CAB ITG ELP**

### DESCRIPTION

- Strong transparent ABS towel bin
- Designed to be used with 40m long standard towel, up to a max width of 270mm
- Replaceable front insert
- Tough, long lasting mechanism with steel gears
- Self-supporting lid with tamper-proof snap lock
- Minimum maintenance required, with easy availability of spare parts
- Left/right hand lock. Locks uses key common with other products in the range.

### DIMENSIONS



### MATERIALS

Backplate made from steel and painted black. Front cover and various internal parts made from ABS and other engineering thermoplastics.

### PACKAGING

2 cabinets are packed into a double-wall box with key and instruction sheet.

Box dimensions: 52cm x 41cm x 39cm

Individual weight: 6.5kg

Total weight: 15kg

